



ALUMINUM CONDUIT BODIES



C Type - COC-1,2,3



LB Type - COLB-1,2,3



C Type - COC-4,5,6



LB Type - COLB-4,5,6



Unit Packaging
Body/Cover/Gasket

UL LISTED File No. E3397

SB Certified File No. LR11852

FEATURES-SPECIFICATIONS

Applications

To provide access to conductors for pulling, splicing, maintenance, and for future changes or upgrades. Combination bodies (1/2"- 2") for use with EMT or Rigid/IMC conduit. Sizes 2-1/2 and larger for use with EMT only (not threaded).

Features

- Combination bodies have threaded and set screw hubs
- Pre-packaged with body, cover and gasket.
- Covers furnished with stainless steel screws

Material/Finish

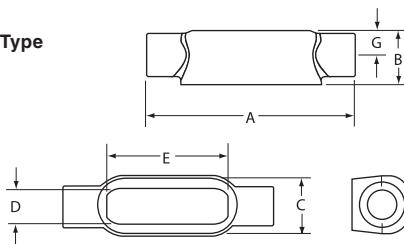
Conduit Bodies – Die cast, copper-free aluminum (less than 4/10 of 1%) with electrostatically applied powder coating.

Covers – Stamped Aluminum/Natural Finish

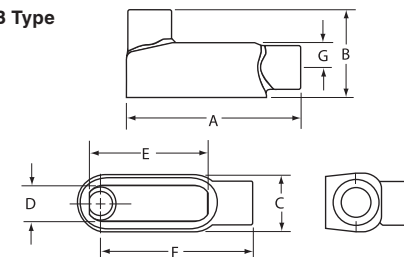
Gaskets – Neoprene

Dimensions

C Type



LB Type



| | | C TYPE CONDUIT BODY | | | | | | | | |
|----------------|----------|---------------------|------------------|-----------------|-----------------|------------------|-------------------|---|------------------|-------|
| CATALOG NUMBER | HUB SIZE | DIMENSIONS | | | | | | | VOLUME CU. IN. | |
| | | A | B | C | D | E | F | G | | |
| C | COC-1CG | 1/2" | 5-3/8" (137) | 1-3/8" (35) | 1-3/8" (35) | 1" (25) | 3-5/32" (80) | — | 5/8" (16) | 4.0 |
| | COC-2CG | 3/4" | 6-1/8" (156) | 1-5/8" (41) | 1-5/8" (67) | 1-7/32" (31) | 3-25/32" (96) | — | 3/4" (19) | 7.0 |
| O | COC-3CG | 1" | 7-1/8" (181) | 2" (51) | 1-7/8" (48) | 1-15/32" (37) | 4-17/32" (115) | — | 15/16" (24) | 12.0 |
| | COC-4CG | 1-1/4" | 9-1/8" (232) | 2-5/8" (67) | 2-5/8" (67) | 2" (51) | 6" (152) | — | 1-3/16" (30) | 32.0 |
| B | COC-5CG | 1-1/2" | 9-1/4" (235) | 2-3/4" (70) | 2-5/8" (67) | 2" (51) | 6" (152) | — | 1-3/8" (32) | 36.0 |
| | COC-6CG | 2" | 11-7/8" (302) | 3-1/2" (89) | 3-1/8" (79) | 2-9/16" (65) | 8-1/16" (205) | — | 1-5/8" (38) | 70.0 |
| E | TWOC-7CG | 2-1/2" | 15-1/8" (384) | 4" (102) | 4-3/8" (111) | 3-11/16" (94) | 10-5/8" (270) | — | 1-13/16" (54) | 153.0 |
| | TWOC-8CG | 3" | 15-1/8" (384) | 4-3/4" (121) | 4-3/8" (111) | 3-11/16" (94) | 10-5/8" (270) | — | 2-3/16" (54) | 181.0 |
| M | TWOC-9CG | 3-1/2" | 18-3/8" (467) | 5-1/2" (140) | 5-1/2" (140) | 4-7/8" (124) | 13-1/8" (333) | — | 2-1/2" (67) | 290.0 |
| | TWOC-0CG | 4" | 18-3/8" (467) | 5-5/8" (143) | 5-1/2" (140) | 4-7/8" (124) | 13-1/8" (333) | — | 2-3/4" (67) | 320.0 |

| | | LB TYPE CONDUIT BODY | | | | | | | | |
|----------------|-----------|----------------------|--------------------|-------------------|-----------------|------------------|-------------------|-------------------|-----------------|-------|
| CATALOG NUMBER | HUB SIZE | DIMENSIONS | | | | | | | VOLUME CU. IN. | |
| | | A | B | C | D | E | F | G | | |
| C | COLB-1CG | 1/2" | 4-17/32" (115) | 2-9/32" (83) | 1-3/8" (35) | 1" (25) | 3-5/32" (80) | 4-3/8" (111) | 5/8" (16) | 4.0 |
| | COLB-2CG | 3/4" | 5-3/4" (146) | 2-1/2" (64) | 1-5/8" (41) | 1-7/32" (31) | 3-25/32" (96) | 4-29/32" (125) | 3/4" (19) | 7.0 |
| O | COLB-3CG | 1" | 6-5/8" (168) | 2-29/32" (74) | 1-7/8" (48) | 1-15/32" (37) | 4-17/32" (115) | 5-23/32" (145) | 15/16" (24) | 12.0 |
| | COLB-4CG | 1-1/4" | 7-1/2" (191) | 3-3/16" (81) | 2-5/8" (67) | 2" (51) | 6" (152) | 6-13/32" (162) | 1-3/16" (30) | 28.8 |
| B | COLB-5CG | 1-1/2" | 9-1/8" (232) | 4" (102) | 2-5/8" (67) | 2" (51) | 6" (152) | 17-3/4" (451) | 1-3/8" (32) | 36.0 |
| | COLB-6CG | 2" | 10" (254) | 4-13/16" (122) | 3-1/8" (79) | 2-9/16" (65) | 8-1/16" (205) | 8-5/32" (207) | 1-5/8" (38) | 70.0 |
| E | TWOLB-7CG | 2-1/2" | 13-15/16" (354) | 6-1/8" (156) | 4-3/8" (111) | 3-11/16" (94) | 10-5/8" (270) | 11-7/16" (291) | 2-1/2" (64) | 142.0 |
| | TWOLB-8CG | 3" | 13-15/16" (354) | 6-1/2" (165) | 4-3/8" (111) | 3-11/16" (94) | 10-5/8" (270) | 11-7/16" (291) | 2-3/16" (54) | 173.0 |
| M | TWOLB-9CG | 3-1/2" | 16-7/8" (429) | 7-9/16" (192) | 5-1/2" (140) | 4-7/8" (124) | 13-1/8" (333) | 13-3/4" (349) | 2-1/2" (67) | 292.0 |
| | TWOLB-0CG | 4" | 16-7/8" (429) | 7-13/16" (198) | 5-1/2" (140) | 4-7/8" (124) | 13-1/8" (333) | 13-3/4" (349) | 2-3/4" (70) | 324.0 |



ALUMINUM CONDUIT BODIES



K-PAK®
Unit Packaging
Body/Cover/Gasket

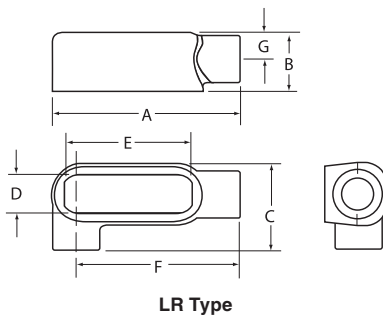
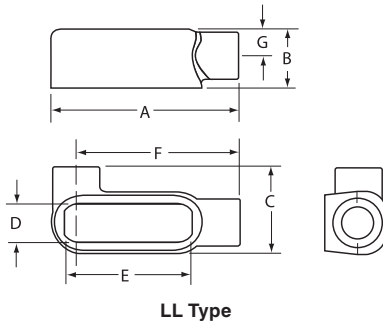
UL LISTED File No. E3397

SP Certified File No. LR11852

FEATURES-SPECIFICATIONS

See page F20 for Applications, Features and Standard Materials & Finish

Dimensions



| LL TYPE CONDUIT BODY | | | | | | | | | | |
|----------------------|-----------|------------|--------------------|-----------------|------------------|------------------|-------------------|---|------------------|-------|
| CATALOG NUMBER | HUB SIZE | DIMENSIONS | | | | | | | VOLUME CU. IN. | |
| | | A | B | C | D | E | F | G | | |
| C O M B | COLL-1CG | 1/2" | 4-5/8" (117) | 1-3/8" (35) | 2" (51) | 1" (25) | 3-5/32" (80) | — | 5/8" (16) | 4.0 |
| | COLL-2CG | 3/4" | 5-3/8" (137) | 1-5/8" (41) | 2-3/16" (56) | 1-7/32" (31) | 3-25/32" (96) | — | 3/4" (19) | 7.0 |
| | COLL-3CG | 1" | 6-1/4" (159) | 2" (51) | 2-9/16" (65) | 1-15/32" (37) | 4-17/32" (115) | — | 15/16" (24) | 12.0 |
| | COLL-4CG | 1-1/4" | 8-1/8" (206) | 2-5/8" (67) | 3-1/2" (89) | 2" (51) | 6" (152) | — | 1-3/16" (30) | 32.0 |
| | COLL-5CG | 1-1/2" | 8-1/8" (206) | 2-3/4" (70) | 3-1/2" (89) | 2" (51) | 6" (152) | — | 1-3/8" (32) | 31.0 |
| | COLL-6CG | 2" | 10-9/16" (268) | 3-1/2" (89) | 4-3/16" (106) | 2-9/16" (65) | 8-1/16" (205) | — | 1-5/8" (38) | 70.0 |
| E M T | TWOLL-7CG | 2-1/2" | 13-11/16" (348) | 4" (102) | 5-3/4" (146) | 3-11/16" (94) | 10-5/8" (270) | — | 1-13/16" (46) | 142.0 |
| | TWOLL-8CG | 3" | 13-11/16" (348) | 4-3/4" (121) | 5-3/4" (146) | 3-11/16" (94) | 10-5/8" (270) | — | 2-3/16" (54) | 173.0 |
| | TWOLL-9CG | 3-1/2" | 16-1/2" (419) | 5-1/2" (140) | 7-1/8" (181) | 4-7/8" (124) | 13-1/8" (333) | — | 2-1/2" (67) | 292.0 |
| | TWOLL-0CG | 4" | 16-1/2" (419) | 5-5/8" (143) | 7-1/8" (181) | 4-7/8" (124) | 13-1/8" (333) | — | 2-3/4" (67) | 324.0 |

| LR TYPE CONDUIT BODY | | | | | | | | | | |
|----------------------|-----------|------------|--------------------|-----------------|------------------|------------------|-------------------|-------------------|------------------|-------|
| CATALOG NUMBER | HUB SIZE | DIMENSIONS | | | | | | | VOLUME CU. IN. | |
| | | A | B | C | D | E | F | G | | |
| C O M B | COLR-1CG | 1/2" | 4-5/8" (117) | 1-3/8" (35) | 2" (51) | 1" (25) | 3-5/32" (80) | 4-3/8" (111) | 5/8" (16) | 4.0 |
| | COLR-2CG | 3/4" | 5-3/8" (137) | 1-5/8" (41) | 2-3/16" (56) | 1-7/32" (31) | 3-25/32" (96) | 4-29/32" (125) | 3/4" (19) | 7.0 |
| | COLR-3CG | 1" | 6-1/4" (159) | 2" (51) | 2-9/16" (65) | 1-15/32" (37) | 4-17/32" (115) | 5-23/32" (145) | 15/16" (24) | 12.0 |
| | COLR-4CG | 1-1/4" | 8-1/8" (206) | 2-5/8" (67) | 3-1/2" (89) | 2" (51) | 6" (152) | 6-13/32" (162) | 1-3/16" (30) | 32.0 |
| | COLR-5CG | 1-1/2" | 8-1/8" (206) | 2-3/4" (70) | 3-1/2" (89) | 2" (51) | 6" (152) | 17-3/4" (451) | 1-3/8" (32) | 31.0 |
| | COLR-6CG | 2" | 10-9/16" (268) | 3-1/2" (89) | 4-3/16" (106) | 2-9/16" (65) | 8-1/16" (205) | 9-5/32" (233) | 1-5/8" (38) | 70.0 |
| E M T | TWOLR-7CG | 2-1/2" | 13-11/16" (348) | 4" (102) | 5-3/4" (146) | 3-11/16" (93) | 10-5/8" (270) | 11-7/16" (291) | 1-13/16" (54) | 142.0 |
| | TWOLR-8CG | 3" | 13-11/16" (348) | 4-3/4" (121) | 5-3/4" (146) | 3-11/16" (93) | 10-5/8" (270) | 11-7/16" (291) | 2-3/16" (54) | 173.0 |
| | TWOLR-9CG | 3-1/2" | 16-1/2" (419) | 5-1/2" (140) | 7-1/8" (181) | 4-7/8" (124) | 13-1/8" (333) | 13-3/4" (349) | 2-1/2" (67) | 292.0 |
| | TWOLR-0CG | 4" | 16-1/2" (419) | 5-5/8" (143) | 7-1/8" (181) | 4-7/8" (124) | 13-1/8" (333) | 13-3/4" (349) | 2-3/4" (67) | 324.0 |



ALUMINUM CONDUIT BODIES



T Type - COT-1,2,3



NEOPRENE GASKET



Unit Packaging
Body/Cover/Gasket

UL LISTED File No. E3397

SP Certified File No. LR11852



T Type - COT-4,5,6

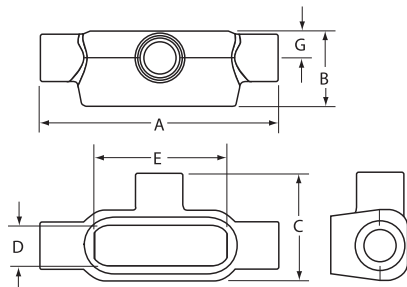


ALUMINUM STAMPED COVER

FEATURES-SPECIFICATIONS

See page F20 for Applications, Features and Standard Materials & Finish

Dimensions



T Type

| T TYPE CONDUIT BODY | | | | | | | | | | |
|---------------------|----------|------------|------------------|-----------------|------------------|------------------|-------------------|---|------------------|-------|
| CATALOG NUMBER | HUB SIZE | DIMENSIONS | | | | | | | VOLUME CU. IN. | |
| | | A | B | C | D | E | F | G | | |
| C O M B | COT-1CG | 1/2" | 5-3/8" (137) | 1-3/8" (35) | 2" (35) | 1" (25) | 3-5/32" (80) | — | 5/8" (16) | 4.0 |
| | COT-2CG | 3/4" | 6-1/16" (154) | 1-5/8" (41) | 2-3/16" (67) | 1-7/32" (31) | 3-25/32" (96) | — | 3/4" (19) | 7.0 |
| | COT-3CG | 1" | 7-1/8" (181) | 2" (51) | 2-9/16" (65) | 1-15/32" (37) | 4-17/32" (115) | — | 15/16" (24) | 12.0 |
| | COT-4CG | 1-1/4" | 9-3/16" (233) | 2-5/8" (67) | 3-1/2" (89) | 2" (51) | 6" (152) | — | 1-3/16" (30) | 32.0 |
| | COT-5CG | 1-1/2" | 9-3/16" (233) | 2-3/4" (70) | 3-1/2" (89) | 2" (51) | 6" (152) | — | 1-3/8" (32) | 33.0 |
| | COT-6CG | 2" | 11-5/8" (295) | 3-1/2" (89) | 4-3/16" (106) | 2-9/16" (65) | 8-1/16" (205) | — | 1-5/8" (38) | 70.0 |
| E M T | TWOT-7CG | 2-1/2" | 15-1/8" (384) | 4" (102) | 5-3/4" (146) | 3-11/16" (94) | 10-5/8" (270) | — | 1-13/16" (54) | 142.0 |
| | TWOT-8CG | 3" | 15-1/8" (384) | 4-3/4" (121) | 5-3/4" (146) | 3-11/16" (94) | 10-5/8" (270) | — | 2-3/16" (54) | 173.0 |
| | TWOT-9CG | 3-1/2" | 18-1/8" (460) | 5-1/2" (140) | 7-1/8" (181) | 4-7/8" (124) | 13-1/8" (333) | — | 2-1/2" (67) | 292.0 |
| | TWOT-0CG | 4" | 18-1/8" (460) | 5-5/8" (143) | 7-1/8" (181) | 4-7/8" (124) | 13-1/8" (333) | — | 2-3/4" (67) | 324.0 |

| NEOPRENE REPLACEMENT GASKETS | |
|------------------------------|----------|
| CATALOG NUMBER | HUB SIZE |
| OLK-1RG | 1/2" |
| OLK-2RG | 3/4" |
| OLK-3RG | 1" |
| OL-45-RG | 1-1/4" |
| OL-45-RG | 1-1/2" |
| OL-6-RG | 2" |
| OL-78-RG | 2-1/2" |
| OL-78-RG | 3" |
| OL-90-RG | 3-1/2" |
| OL-90-RG | 4" |

| ALUMINUM REPLACEMENT COVERS | | | | |
|-----------------------------|----------|---------------|-------------|----------|
| CATALOG NUMBER | HUB SIZE | DIMENSIONS | | |
| | | LENGTH | WIDTH | HEIGHT |
| OL-10 | 1/2" | 3-15/16"(100) | 1-3/8"(35) | 3/8"(10) |
| OL-20 | 3/4" | 4-5/8"(117) | 1-5/8"(41) | 3/8"(10) |
| OL-30 | 1" | 5-3/8"(137) | 1-7/8"(48) | 5/8"(16) |
| OL-450 | 1-1/4" | 7-3/16"(183) | 2-5/8"(67) | 5/8"(16) |
| OL-450 | 1-1/2" | 7-3/16"(183) | 2-5/8"(67) | 5/8"(16) |
| OL-60 | 2" | 9-1/2"(241) | 3-1/8"(79) | 5/8"(16) |
| OL-780 | 2-1/2" | 12-1/4"(311) | 4-3/8"(111) | 5/8"(16) |
| OL-780 | 3" | 12-1/4"(311) | 4-3/8"(111) | 5/8"(16) |
| OL-900 | 3-1/2" | 14-7/8"(378) | 5-1/2"(140) | 5/8"(16) |
| OL-900 | 4" | 14-7/8"(378) | 5-1/2"(140) | 5/8"(16) |